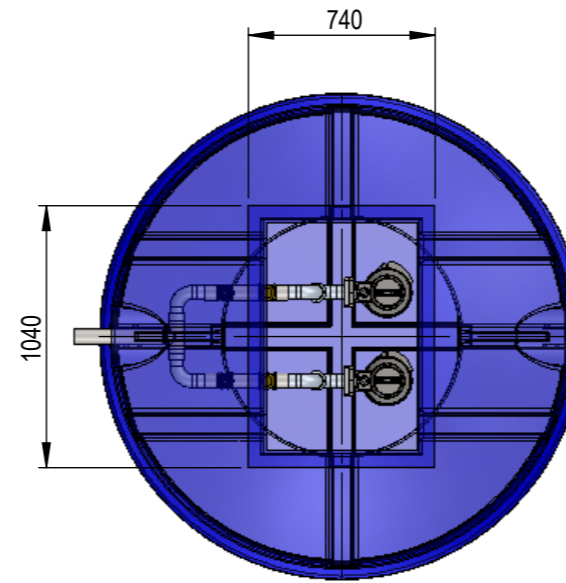


IF IN DOUBT - ASK

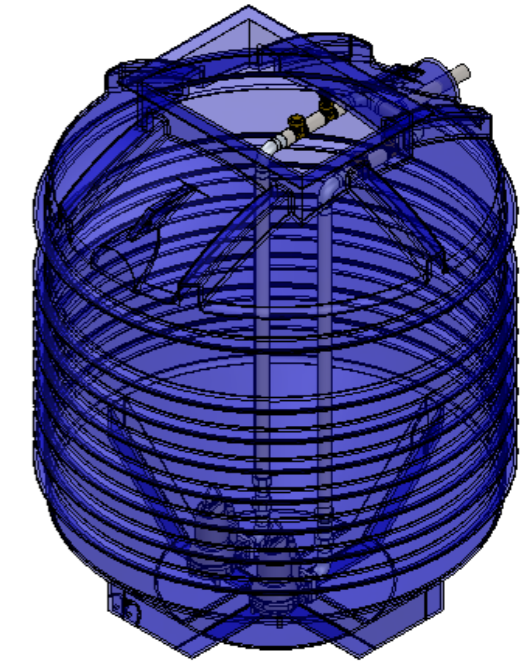
DO NOT SCALE

ALL DIMENSIONS ARE IN MILLIMETRES

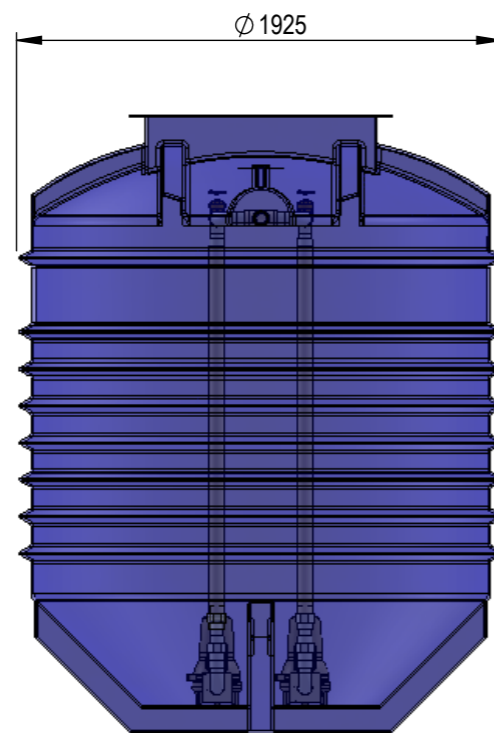
SHEET SIZE  
A3



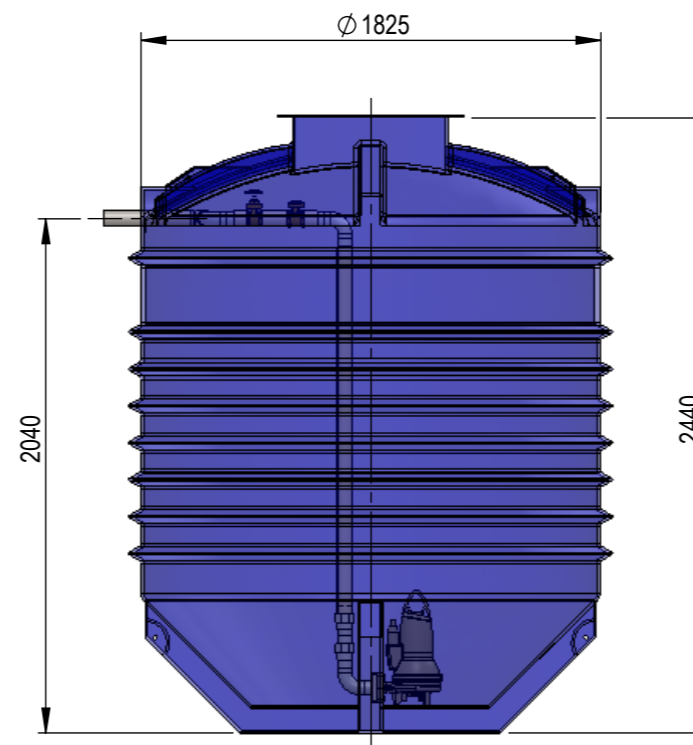
TOP VIEW



ISO VIEW



SIDE VIEW



FRONT VIEW

LID DEPTH AS PER  
SELECTION FROM TABLE

DEPTH	2440
OUTER DIAMETER	1825
APPROXIMATE WEIGHT	193kg

DESCRIPTION	DEPTH	PART NO:
CLASS B GATIC INFILL COVER	55mm	TC5007
CLASS D GATIC INFILL COVER	100mm	TC5019
CLASS B HINGED GRATE	55mm	TC5056
CLASS D GRATE	100mm	TC5068
PEDESTRIAN COVER	50mm	TC5097

RESTRICTED CONFIDENTIAL DOCUMENT  
 THIS DRAWING AND ALL INFORMATION SHOWN HEREON ARE THE EXCLUSIVE PROPERTY OF ALINE PUMPS AND ARE SUBMITTED ONLY ON A CONFIDENTIAL BASIS. THE RECIPIENT AGREES NOT TO REPRODUCE THE DRAWING, TO RETURN IT UPON REQUEST, AND THAT NO DISCLOSURE OF THE DRAWING OR THE INFORMATION SHOWN HEREON WILL BE MADE TO A THIRD PARTY WITHOUT PRIOR WRITTEN CONSENT FROM ALINE PUMPS.

TITLE:	POLY/DUAL/PUMP STATION/1.9x2.5						
MODEL:	TSS-D-1.9x2.5						
PART NO:	TC6003						
THIRD ANGLE PROJECTION	SCALE 1:30	DRAWN SYN	DATE 30.11.17	SHEET No. 1 OF 1	ISSUE A1	CLIENT:	

